



TANKLESS COPPER COIL WATER HEATERS

Engineered by *SUPER HOT* to provide **DOMESTIC HOT WATER** or **POOL HEATING** in commercial, industrial and residential applications.

SUPER HOT's Tankless Coil heats water indirectly and instantaneously by using boiler supply water as the heat source. When boiler supply water flows into the tankless coil, our unique "whirl-pool" design generates a turbulent stirring action to optimize the exchange of heat from the boiler water, through the finned copper tubing, to the domestic or pool water inside.



Sizes ranging from 2.5 to 25 gpm.

EFFICIENT & ECONOMICAL

The heat exchanger is constructed from integrally finned copper tubing, designed to maximize efficient heat transfer due to its increased surface area and high thermal conductivity. Ambient temperature standby losses are virtually eliminated because there is no stack, flue or storage tank. A tankless coil saves energy by only heating the amount of water which will be used immediately.

CLEAN WATER

Provides instantaneous **CLEAN** hot water 24 hours a day... up to 25 gallons per minute. No rust or sediment will collect in the copper coil and contaminate your domestic water (a common occurrence in direct fired water heaters).

EASY INSTALLATION

Compact design saves space and makes handling a breeze. Simple piping connections allow for quick and easy installation, saving you both time and money.

LONG-LASTING

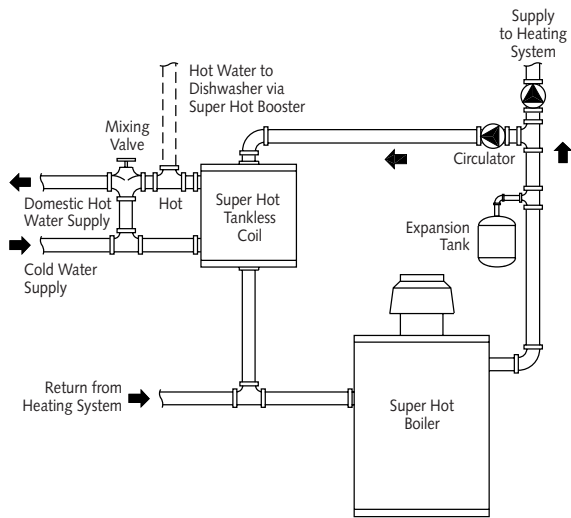
Long-life copper tubing used on the service connection prevents corrosion problems. Domestic or pool water is heated inside the copper finned tube by boiler water in a closed system design thereby avoiding electrolysis caused by fresh water and ensuring years of maintenance free hot water.

3 YEAR WARRANTY PROTECTION

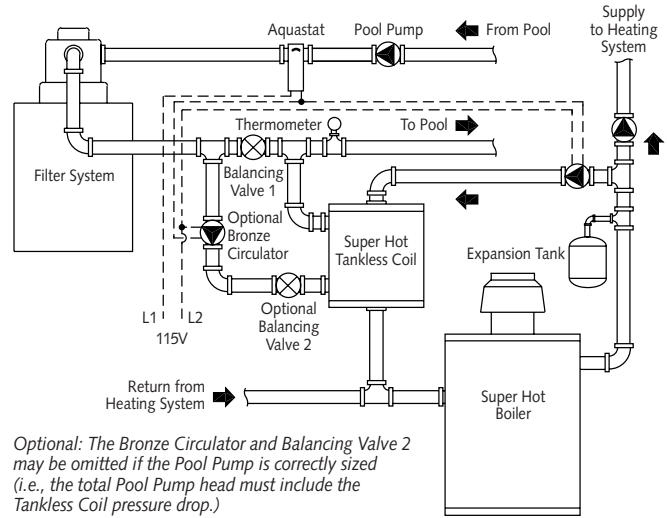
SUPER HOT Tankless Coil Water Heaters are protected for 3 years against all defective parts and fabrication, effective from the date of purchase, when used under normal operating conditions. See *printed warranty* for details.

TANKLESS COPPER COIL WATER HEATERS

DOMESTIC WATER HEATING



POOL HEATING



Optional: The Bronze Circulator and Balancing Valve 2 may be omitted if the Pool Pump is correctly sized (i.e., the total Pool Pump head must include the Tankless Coil pressure drop.)

Boiler Supply Connection

Boiler Water

Service Hot Water Connection

High Density Fiberglass Insulation

Integral Copper Finned Tube Heat Exchanger

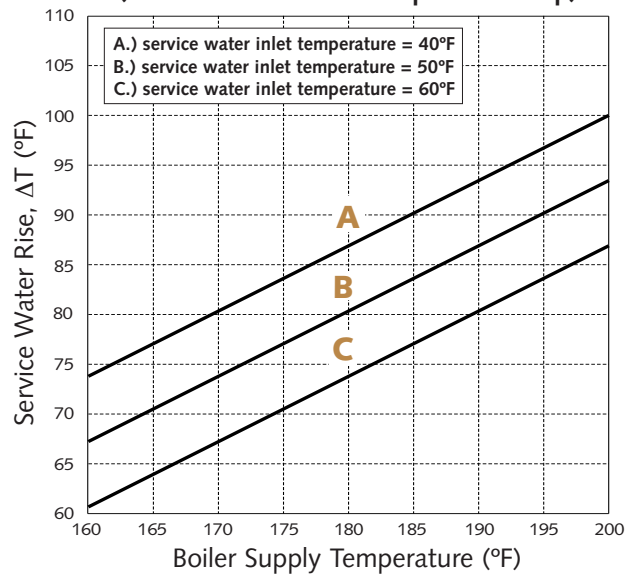
Service Cold Water Connection

Baked Enamel Outer Casing

Boiler Return Connection



TANKLESS COIL HEAT TRANSFER (at 20°F Boiler Water Temperature Drop)



MODEL NUMBER	SERVICE WATER		BOILER WATER			WATER CONNECTIONS				DIMENSIONS				SHIPPING WEIGHT LBS.
	RECOVERY G.P.M. 40 - 140°F	PRESSURE DROP @ RATED FLOW FT. OF WATER	FLOW G.P.M. @ 200°F	PRESSURE DROP @ RATED FLOW FT. OF WATER	NET INPUT M.B.H.	SERVICE		BOILER		HEIGHT		DIAMETER		
						in	mm	in	mm	in	mm	in	mm	
C 2.5	2.5	13	13	5	125	1/2	13	11/4	32	13 3/4	349	7 1/2sq	191sq	26
C 5	5	12	26	5	249	3/4	19	2	51	15	381	16 1/4	413	65
C 10	10	15	51	5	498	1	25	2	51	20	508	16 1/4	413	90
C 15	15	13	77	5	747	1 1/4	32	3	76	25	635	16 1/4	413	115
C 20	20	12	103	5	996	1 1/2	38	3	76	30	762	16 1/4	413	145
C 25	25	13	129	5	1245	1 1/2	38	3	76	35	889	16 1/4	413	165

NOTE: Ratings based on 100°F rise in service water (40 - 140°F) and 20°F drop in boiler water (200 - 180°F).



ALLIED ENGINEERING COMPANY

DIVISION OF E-Z-RECT MANUFACTURING LTD.

Manufacturers of Energy Efficient Gas Fired Hydronic Heating Boilers, Tankless Copper Coils, Stainless Steel Indirect Tanks, Electric Boilers and Boosters.

94 Riverside Drive, North Vancouver, B.C. V7H 2M6

TEL: (604) 929-1214 • FAX: (604) 929-5184 • www.alliedengineeringco.com

Branches: Calgary • Edmonton • Toronto