



EFFICIENCY PLUS SERIES



THE LONG-LASTING CHOICE

Stainless Steel Indirect Fired Water Heaters designed for energy efficiency and quick recovery in residential or commercial domestic hot water heating applications

EPP Series – four standard sizes to choose from 40, 60, 80 and 120 US gallons.

INDIRECT FIRED HOT WATER TANK

FEATURES

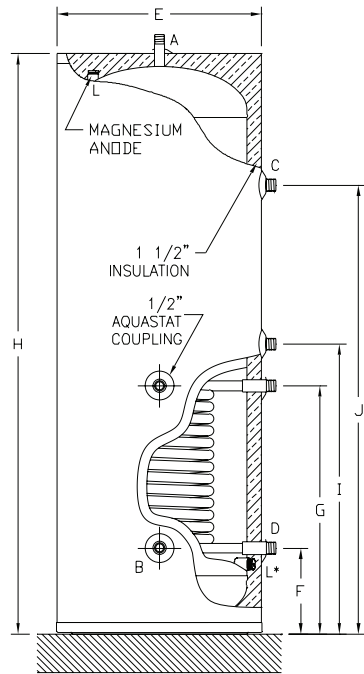
- Fast Recovery Time
- Designed for Highest Heat Transfer Efficiency
- Low Standby Heat Loss
- Easy Installation
- Ideal for use with Hot Water Boilers, Solar Panels, or Geothermal Heat Pumps
- Warranty: 10 Year for Residential. See warranty for details.

QUALITY CONSTRUCTION

- Tank and Coil constructed from High Grade Stainless Steel AISI 316L for proven dependability and superior weld integrity
- Aquastat and Stainless Steel Thermowell
- Baked Enamel Casing with Galvanized Base
- Magnesium Anode
- Passivated for additional Corrosion Protection

Single Coil heat exchanger uses 1" O.D. x 30 ft long Stainless Steel tube.

Maximum Operating Pressure: 150 psi • Maximum Tank Temperature: 150°F • Maximum Coil Temperature: 210°F



EPP SERIES

RECOVERY (Based on Boiler Flow Rate of 10 GPM)

Model No.	Tank Capacity US Gal.	Inlet from Boiler Temp. °F	1st 10 Min. Delivery @ 135 °F US Gal.	1st Hour Delivery @ 135 °F US Gal.	Continuous Delivery @ 115 °F US GPH	Thermal Input Requirements Btu/hr
EPP-40-SC	40	200	66	194	226	129,000
		190	63	176	205	117,000
		180	60	159	184	105,000
EPP-60-SC	60	200	86	214	226	129,000
		190	83	196	205	117,000
		180	80	179	184	105,000
EPP-60-SCR	60	200	86	214	226	129,000
		190	83	196	205	117,000
		180	80	179	184	105,000
EPP-60-DC	60	200	102	313	383	219,000
		190	97	284	346	198,000
		180	92	253	309	176,000
EPP-80-SC	80	200	105	232	226	129,000
		190	102	215	205	117,000
		180	100	198	184	105,000
EPP-80-DC	80	200	122	333	383	219,000
		190	117	304	346	198,000
		180	112	273	309	176,000
EPP-120-SC	120	200	146	274	226	129,000
		190	143	256	205	117,000
		180	140	239	184	105,000
EPP-120-DC	120	200	163	375	383	219,000
		190	157	345	346	198,000
		180	152	314	309	176,000

SC = Single Coil

DC = Double Coil

SCR = Crawl Space Design (Single Coil)

CONNECTIONS (NPT coupling)

Model No.	A Hot Water Outlet	B Cold Water Inlet	C Inlet from Boiler	D Outlet to Boiler
EPP-40-SC	3/4"	3/4"	1"	1"
EPP-60-SC	3/4"	3/4"	1"	1"
EPP-60-SCR*	3/4"	3/4"	1"	1"
EPP-60-DC	3/4"	3/4"	1"	1"
EPP-80-SC	1"	1"	1"	1"
EPP-80-DC	1"	1"	1"	1"
EPP-120-SC	1 1/2"	1 1/2"	1"	1"
EPP-120-DC	1 1/2"	1 1/2"	1"	1"

DIMENSIONS

E	F	G	H	I	J	Shipping Weight (Lbs)
21"	7 5/8"	24 1/8"	42 5/16"	-	-	144
21"	7 5/8"	24 1/8"	60 5/16"	-	-	182
27"	10 13/16"	27 5/16"	36 3/8"	-	-	164
21"	7 5/8"	24 1/8"	60 5/16"	30 1/8"	46 5/8"	196
23"	10 1/4"	26 3/4"	63 5/16"	-	-	198
23"	10 1/4"	26 3/4"	63 5/16"	32 7/8"	49 1/4"	212
27"	10 11/16"	27 3/16"	64 5/8"	-	-	236
27"	10 11/16"	27 3/16"	64 5/8"	33 3/16"	49 11/16"	256

* Anode for EPP-60-SCR located at bottom of tank instead of top.

Also available:

- "Stacker" Indirect Fired Hot Water Tank in 40 US gallon – boiler can be stacked on casing to save floor space
- EPP Storage Tanks in 40, 60, 80, and 120 US gallon

The Super Hot product improvement program may result in changes to design and/or specifications being made without notice.



ALLIED ENGINEERING COMPANY

DIVISION OF E-Z-RECT MANUFACTURING LTD.

Manufacturers of Gas and Electric Boilers. Tankless Coils. Electric Boosters

94 Riverside Drive, North Vancouver, B.C. V7H 2M6 • TEL: 604.929.1214 • FAX: 604.929.5184

www.alliedboilers.com