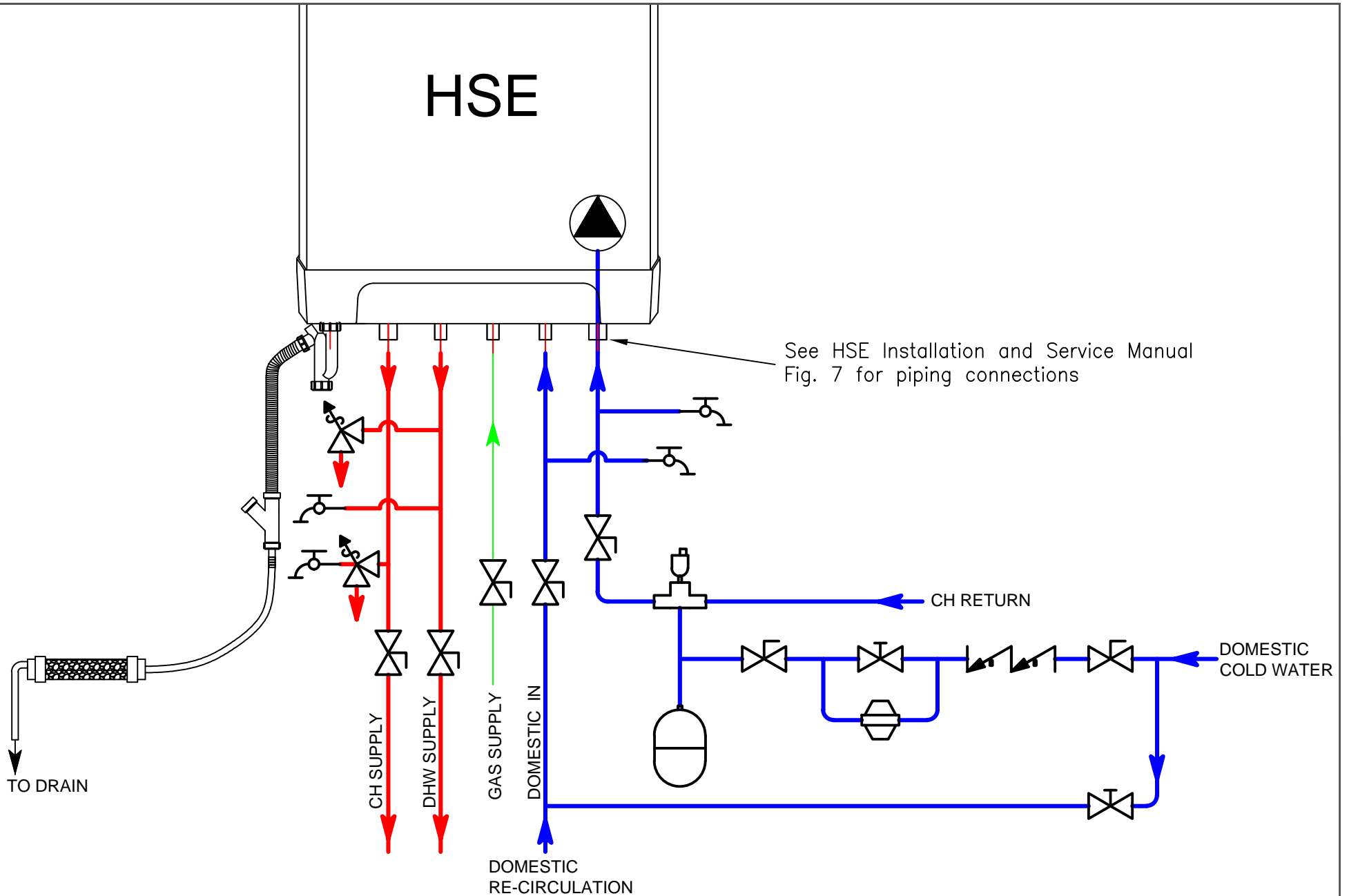


HSE



NOTES:
 This drawing illustrates a system concept only. This is not an engineering drawing and may not show all necessary components or may show additional components that may not be required for the system. The installer is responsible for compliance with local code requirements and proper installation practices

SCALE: NTS
 DATE: JUL 11, 2011
 BY: JZ/rs
 CHK:

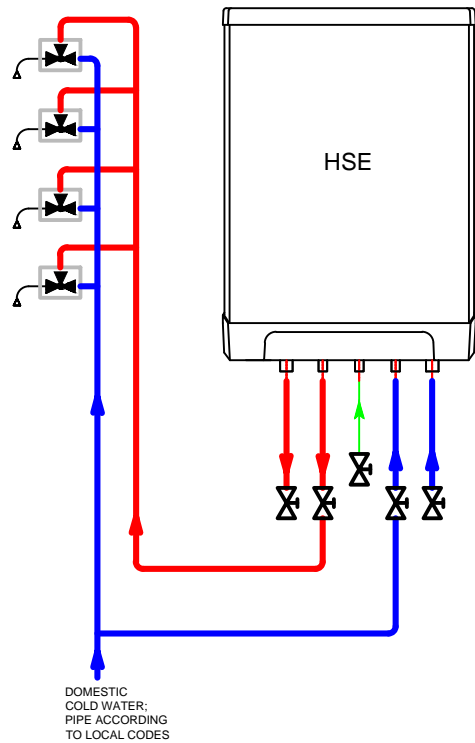
DWG NO:
 HSE-PW-001-00
 FOR: Super Hot Intergas
 HSE Series Boilers

Piping Diagram for
 Near Boiler Connections
ALLIED ENGINEERING COMPANY

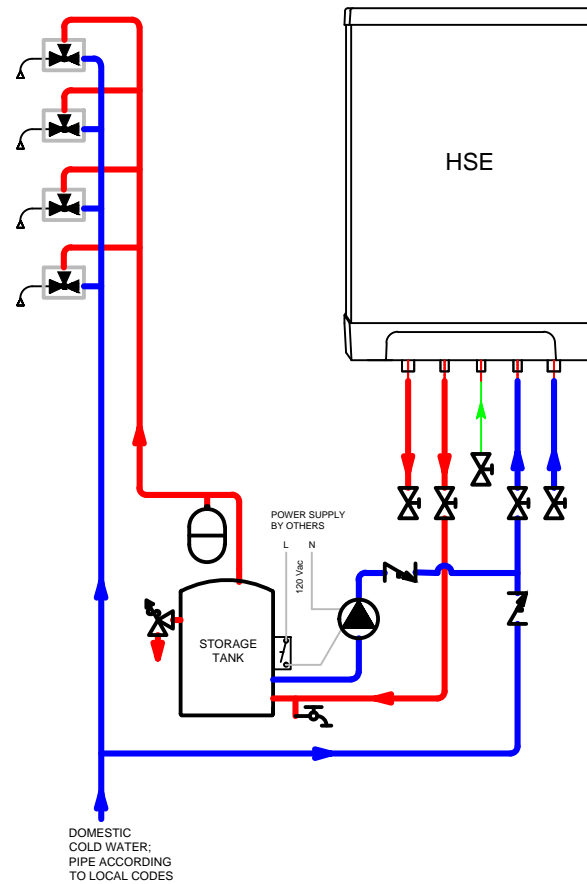
Legend



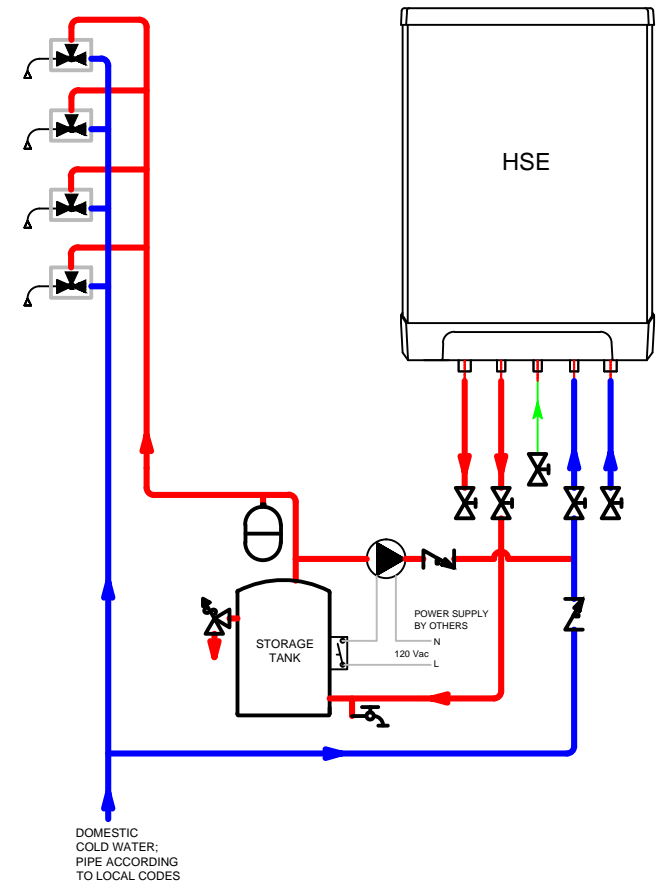
Instantaneous Domestic Hot Water Supply



Instantaneous Domestic Hot Water Supply with Storage Tank using Tank Re-circulation



Instantaneous Domestic Hot Water Supply with Storage Tank and Re-circulation



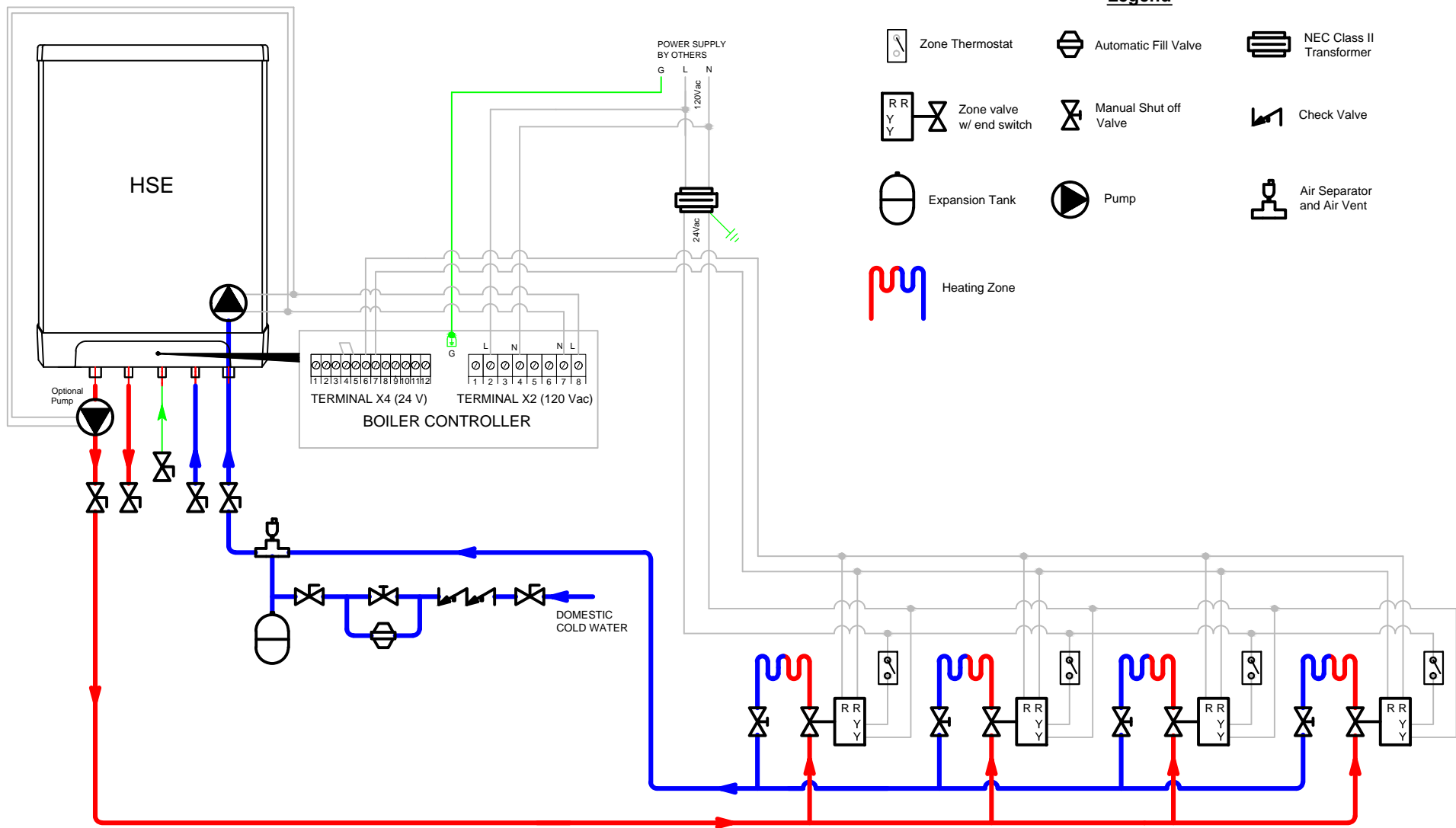
NOTES:
 This drawing illustrates a system concept only. This is not an engineering drawing and may not show all necessary components or may show additional components that may not be required for the system. The installer is responsible for compliance with local code requirements and proper installation practices

SCALE: NTS
 DATE: JUL 11, 2011
 BY: JZ/rs
 CHK:

DWG NO:
 HSE-PW-002-00
 FOR: HSE Series Boilers
 HSE-125-N/P

Piping and Wiring Diagram for
 Domestic Hot Water

ALLIED ENGINEERING COMPANY



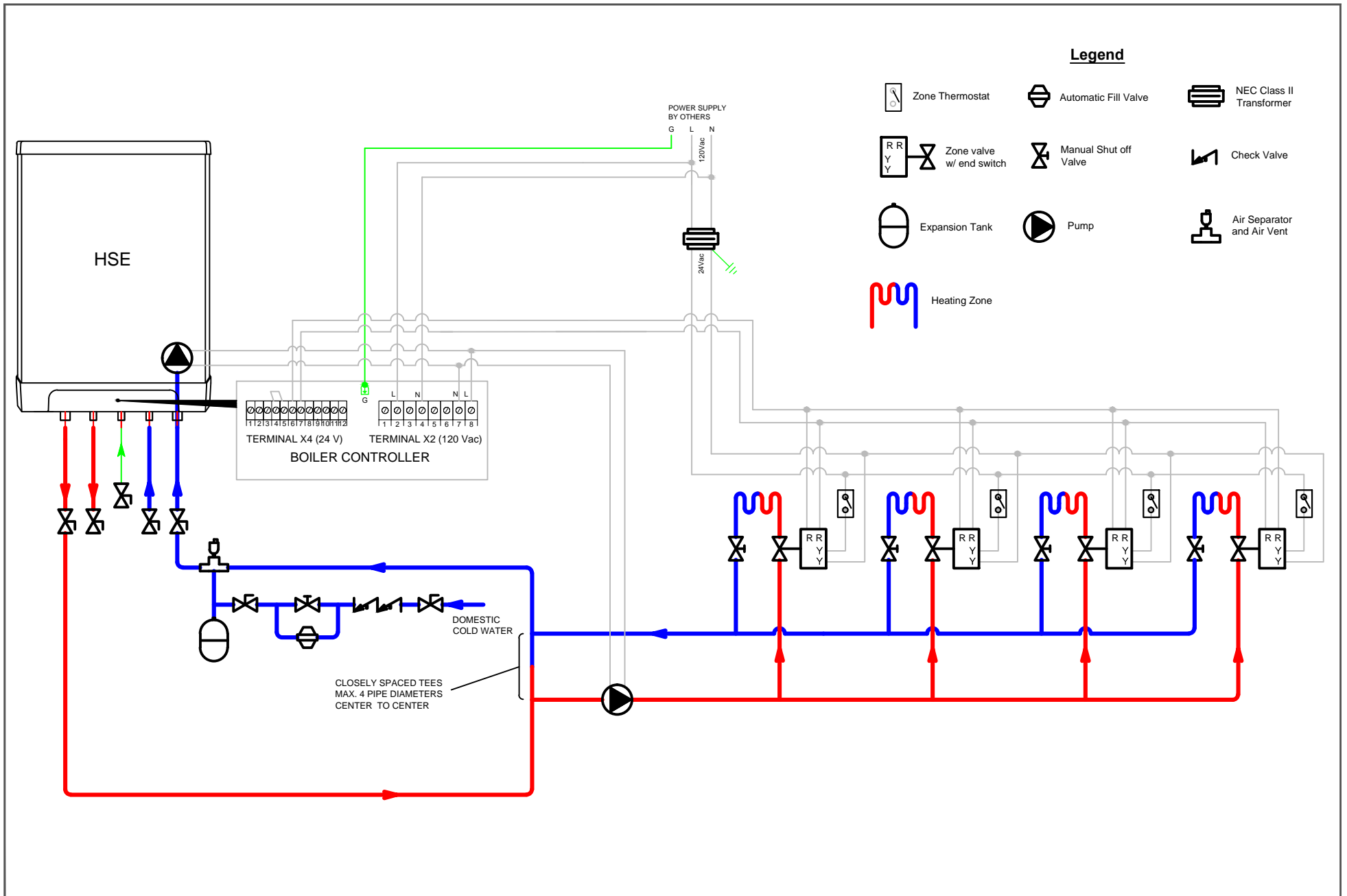
NOTES:
 This drawing illustrates a system concept only. This is not an engineering drawing and may not show all necessary components or may show additional components that may not be required for the system. The installer is responsible for compliance with local code requirements and proper installation practices

SCALE: NTS
 DATE: JUL 11, 2011
 BY: JZ/rs
 CHK:

DWG NO:
 HSE-PW-003-00
 FOR: Super Hot Intergas
 HSE Series Boilers

Piping and Wiring Diagram for
 Heating Zones using Zone Valves

ALLIED ENGINEERING COMPANY

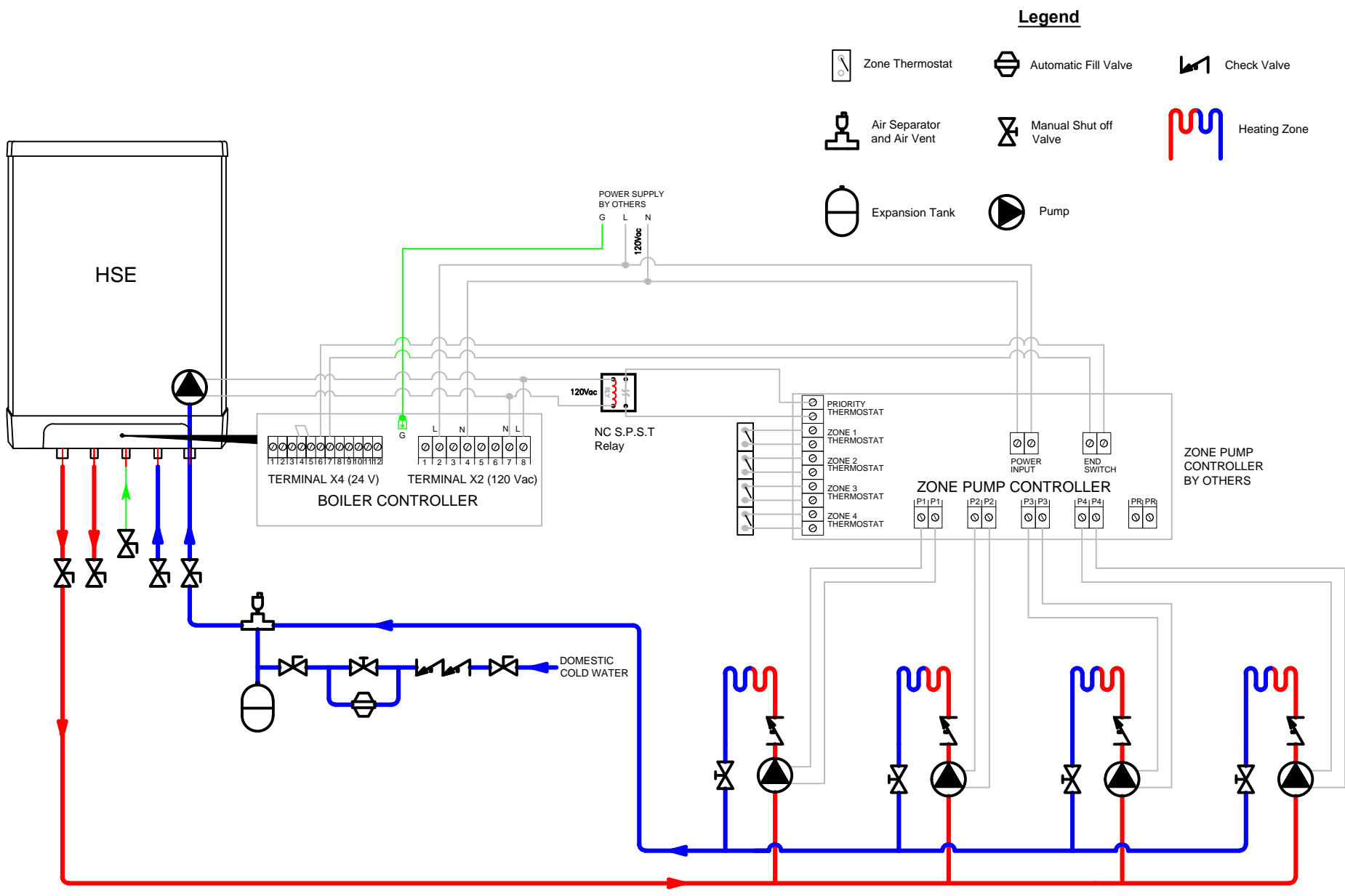


NOTES:
 This drawing illustrates a system concept only. This is not an engineering drawing and may not show all necessary components or may show additional components that may not be required for the system. The installer is responsible for compliance with local code requirements and proper installation practices

| | |
|--------------------|---|
| SCALE: NTS | DWG NO: |
| DATE: JUL 11, 2011 | HSE-PW-003A-00 |
| BY: JZ/rs | |
| CHK: | FOR: Super Hot Intergas HSE Series Boilers |

Piping and Wiring Diagram for
 Heating Zones using Zone Valves Primary Secondary

ALLIED ENGINEERING COMPANY



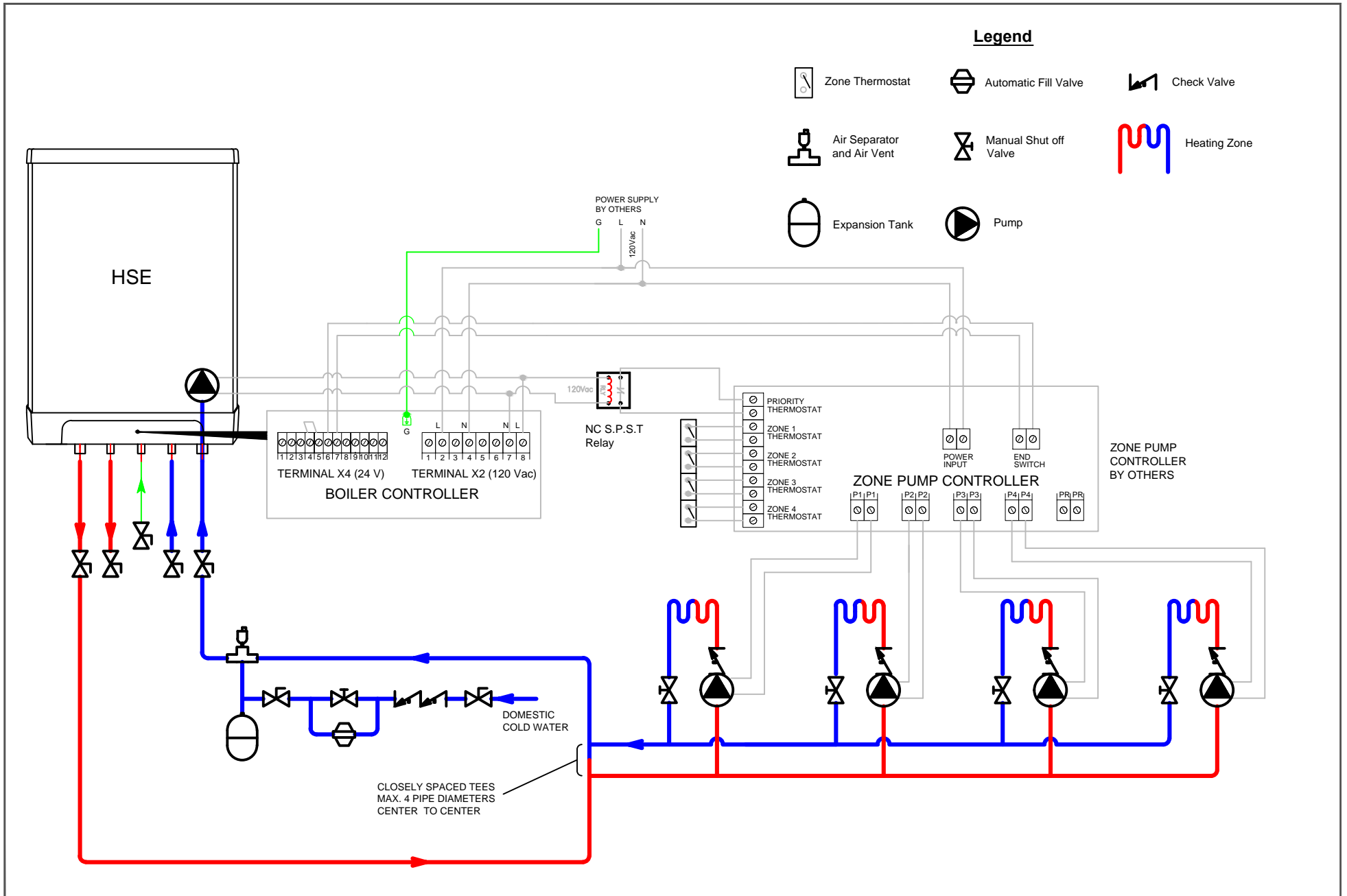
Legend

- Zone Thermostat
- Automatic Fill Valve
- Check Valve
- Air Separator and Air Vent
- Manual Shut off Valve
- Heating Zone
- Expansion Tank
- Pump

NOTES:
 This drawing illustrates a system concept only. This is not an engineering drawing and may not show all necessary components or may show additional components that may not be required for the system. The installer is responsible for compliance with local code requirements and proper installation practices

| | |
|--------------------|---|
| SCALE: NTS | DWG NO: |
| DATE: JUL 11, 2011 | HSE-PW-004-00 |
| BY: JZ/rs | |
| CHK: | FOR: Super Hot Intergas HSE Series Boilers |

Piping and Wiring Diagram for Heating Zones using Pumps
ALLIED ENGINEERING COMPANY

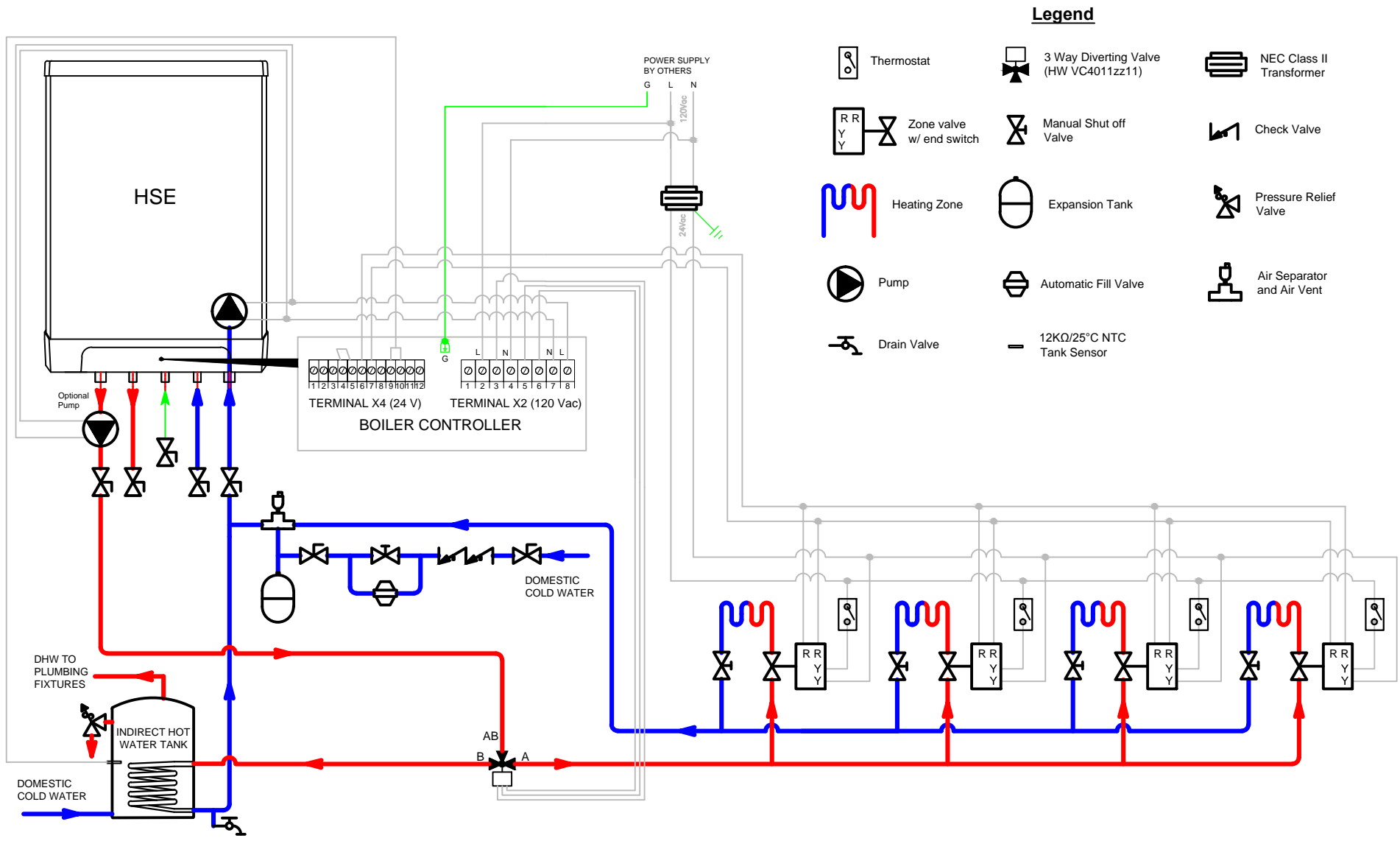


NOTES:
This drawing illustrates a system concept only. This is not an engineering drawing and may not show all necessary components or may show additional components that may not be required for the system. The installer is responsible for compliance with local code requirements and proper installation practices

SCALE: NTS
DATE: JUL 11, 2011
BY: JZ/rs
CHK:

DWG NO:
HSE-PW-004A-00
FOR: Super Hot Intergas
HSE Series Boilers

Piping and Wiring Diagram for
Heating Zones using Pumps Primary Secondary
ALLIED ENGINEERING COMPANY





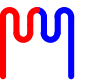
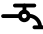



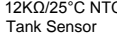




NOTES:
 This drawing illustrates a system concept only. This is not an engineering drawing and may not show all necessary components or may show additional components that may not be required for the system. The installer is responsible for compliance with local code requirements and proper installation practices

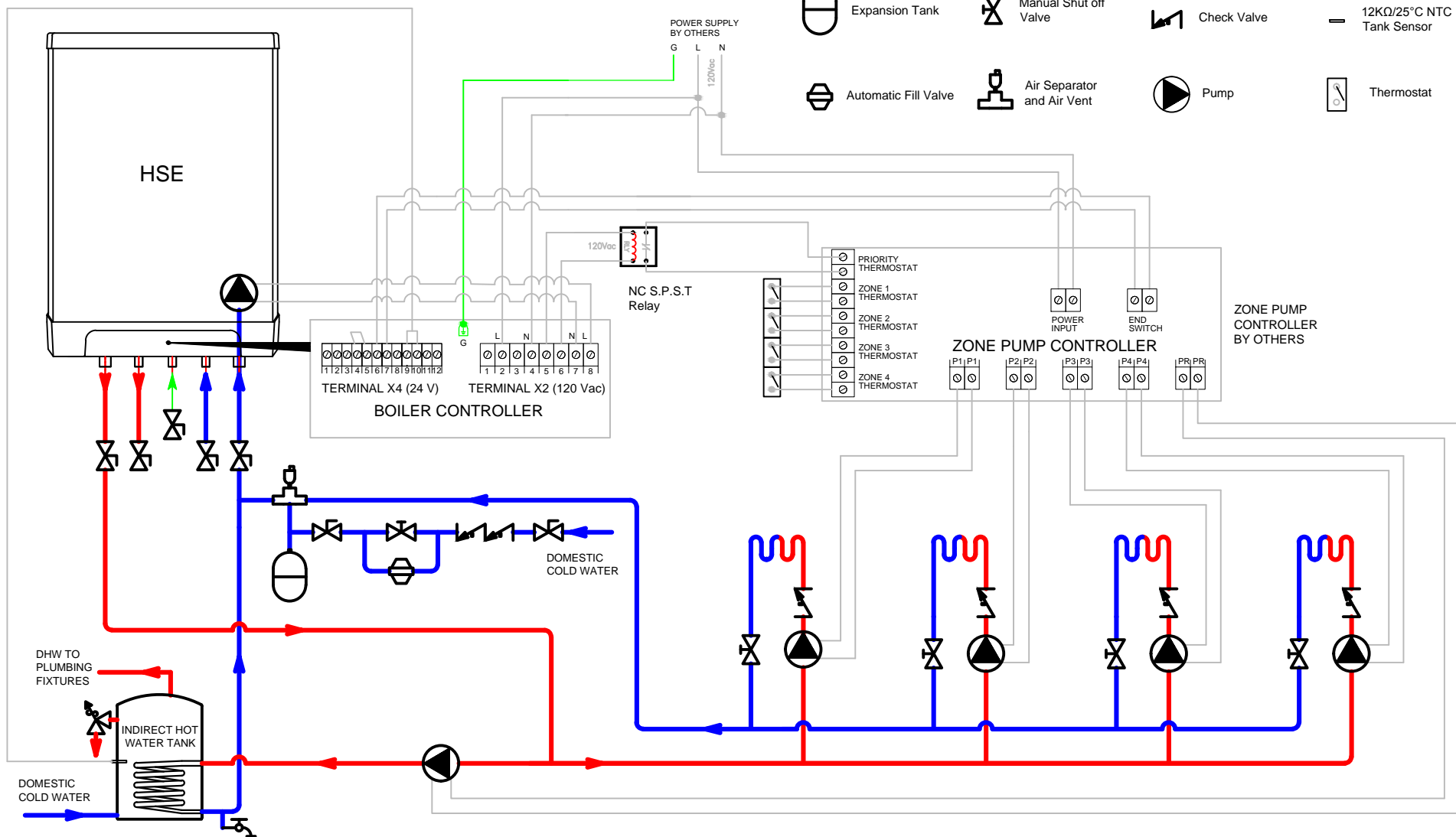
SCALE: NTS
 DATE: JUL 11, 2011
 BY: JZ/rs
 CHK:

DWG NO:
 HSE-PW-005-00
 FOR: Super Hot Intergas
 HSE Series Boilers

Piping and Wiring Diagram for Heating Zones
 using Zone Valves and Indirect Domestic Hot Water Tank
ALLIED ENGINEERING COMPANY

Legend

-  3 Way Diverting Valve HW VC4011zz11
-  Pressure Relief Valve
-  Heating Zone
-  Drain Valve
-  Expansion Tank
-  Manual Shut off Valve
-  Check Valve
-  12KΩ/25°C NTC Tank Sensor
-  Automatic Fill Valve
-  Air Separator and Air Vent
-  Pump
-  Thermostat

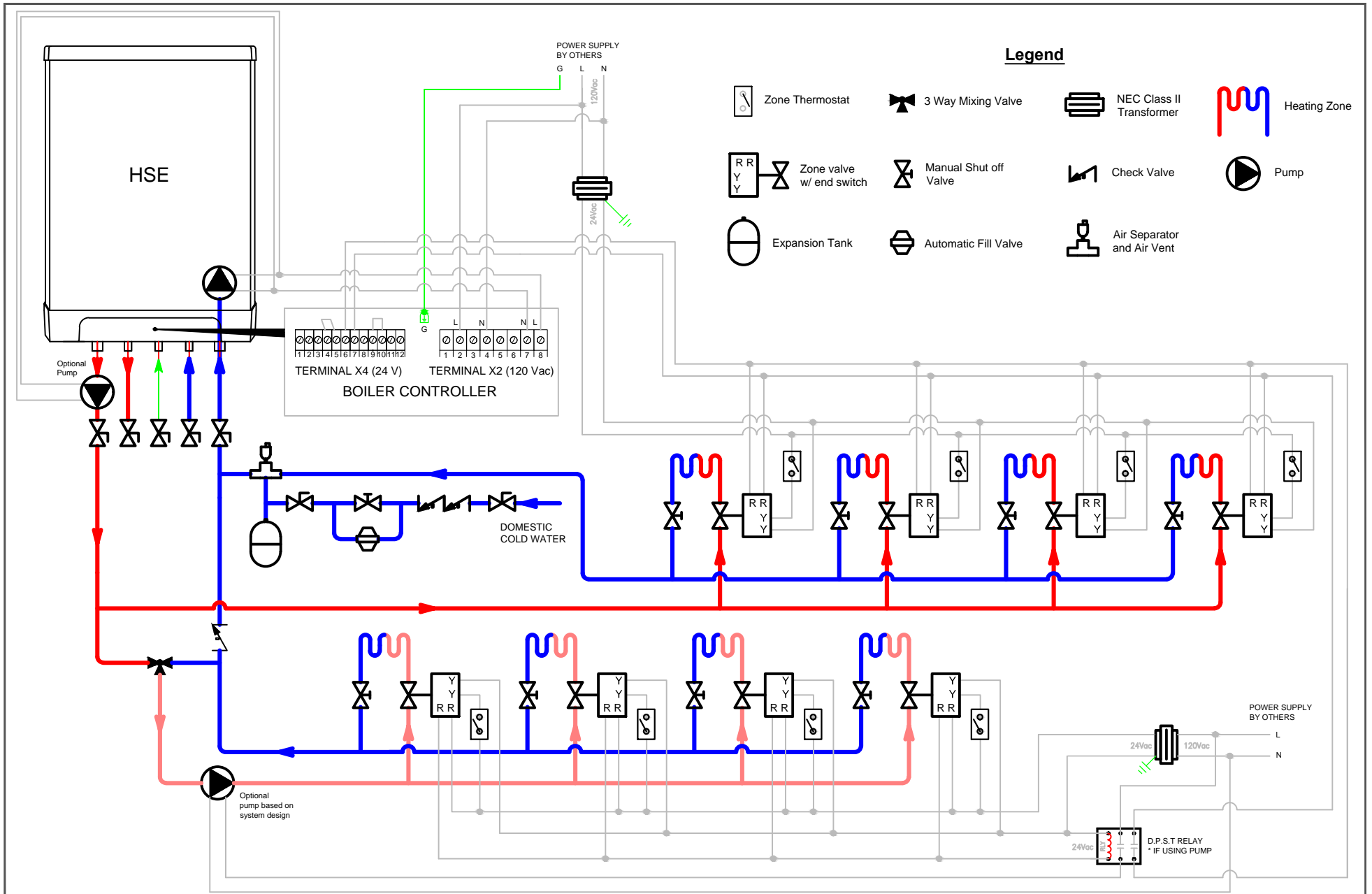


NOTES:
 This drawing illustrates a system concept only. This is not an engineering drawing and may not show all necessary components or may show additional components that may not be required for the system. The installer is responsible for compliance with local code requirements and proper installation practices

SCALE: NTS
 DATE: JUL 11, 2011
 BY: JZ/rs
 CHK:

DWG NO:
 HSE-PW-006-00
 FOR: Super Hot Intergas
 HSE Series Boilers

Piping and Wiring Diagram for Heating Zones
 using Pumps and Indirect Domestic Hot Water Tank
ALLIED ENGINEERING COMPANY



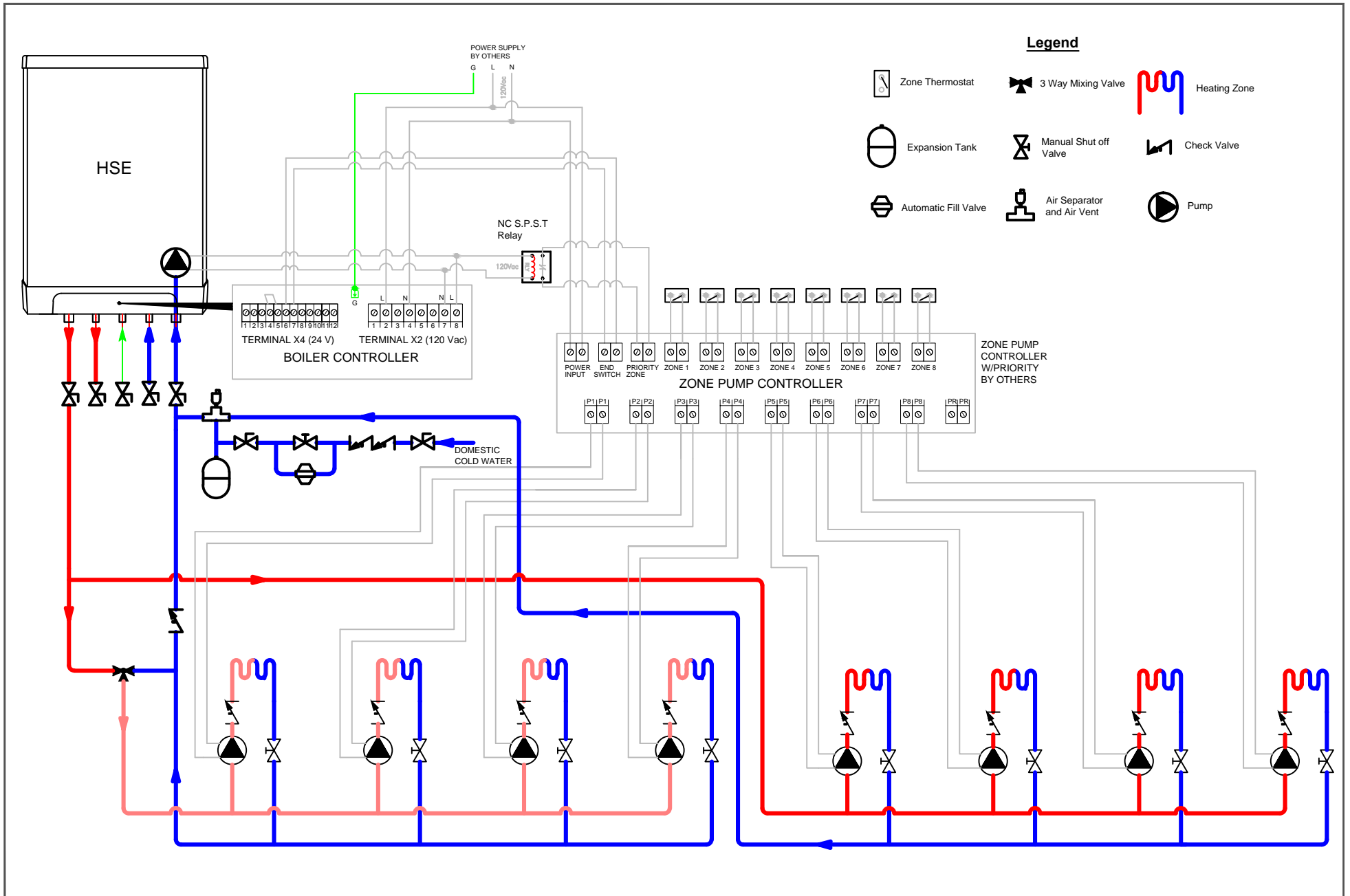
NOTES:
 This drawing illustrates a system concept only. This is not an engineering drawing and may not show all necessary components or may show additional components that may not be required for the system. The installer is responsible for compliance with local code requirements and proper installation practices

SCALE: NTS
 DATE: JUL 11, 2011
 BY: JZ/rs
 CHK:

DWG NO:
 HSE-PW-007-00
 FOR: Super Hot Intergas
 HSE Series Boilers

Piping and Wiring Diagram for High and Low
 Temperature Heating Zones using Zone Valves

ALLIED ENGINEERING COMPANY



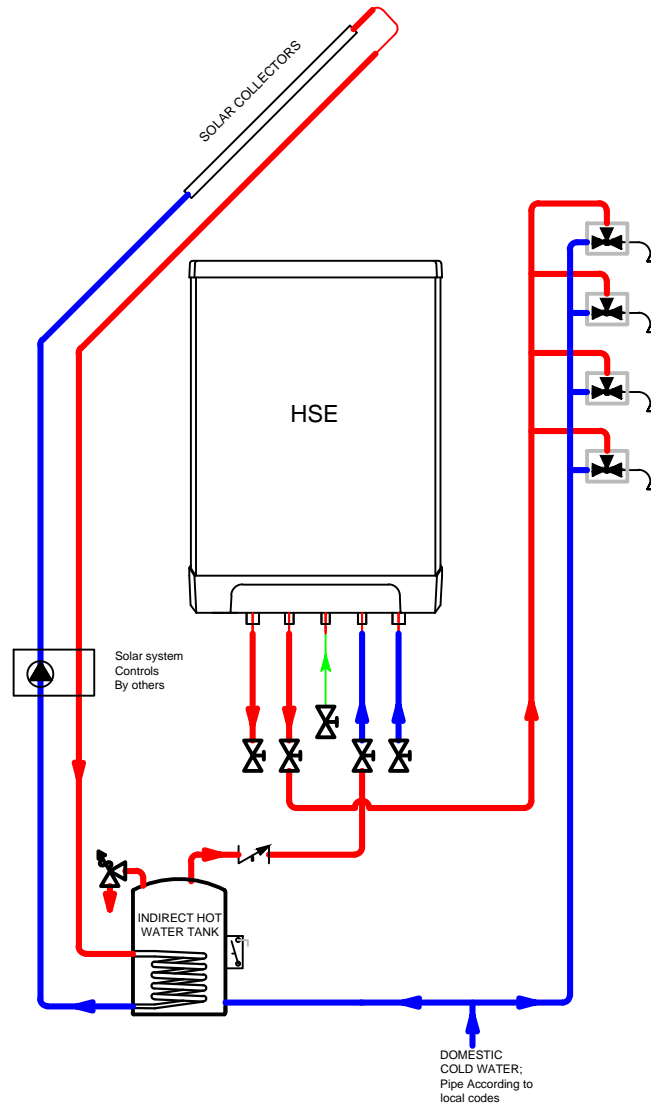
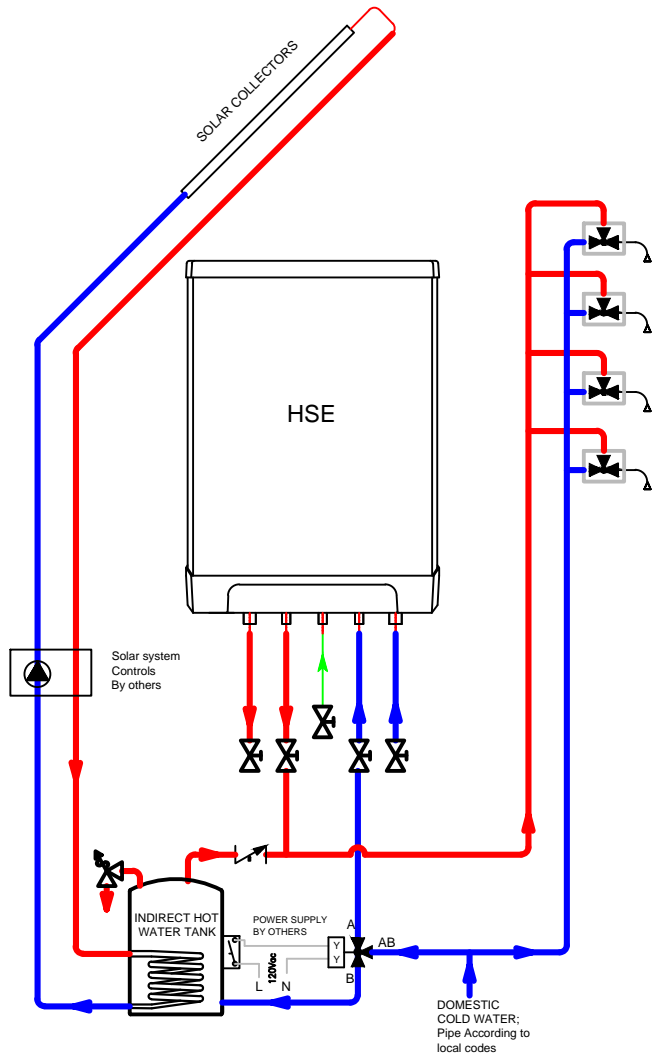
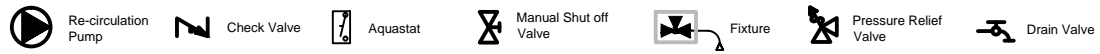
NOTES:
This drawing illustrates a system concept only. This is not an engineering drawing and may not show all necessary components or may show additional components that may not be required for the system. The installer is responsible for compliance with local code requirements and proper installation practices

| | |
|--------------------|---|
| SCALE: NTS | DWG NO: |
| DATE: JUL 11, 2011 | HSE-PW-008-00 |
| BY: JZ/rs | |
| CHK: | FOR: Super Hot Intergas HSE Series Boilers |

Piping and Wiring Diagram for High and Low Temperature Heating Zones using Pumps

ALLIED ENGINEERING COMPANY

Legend



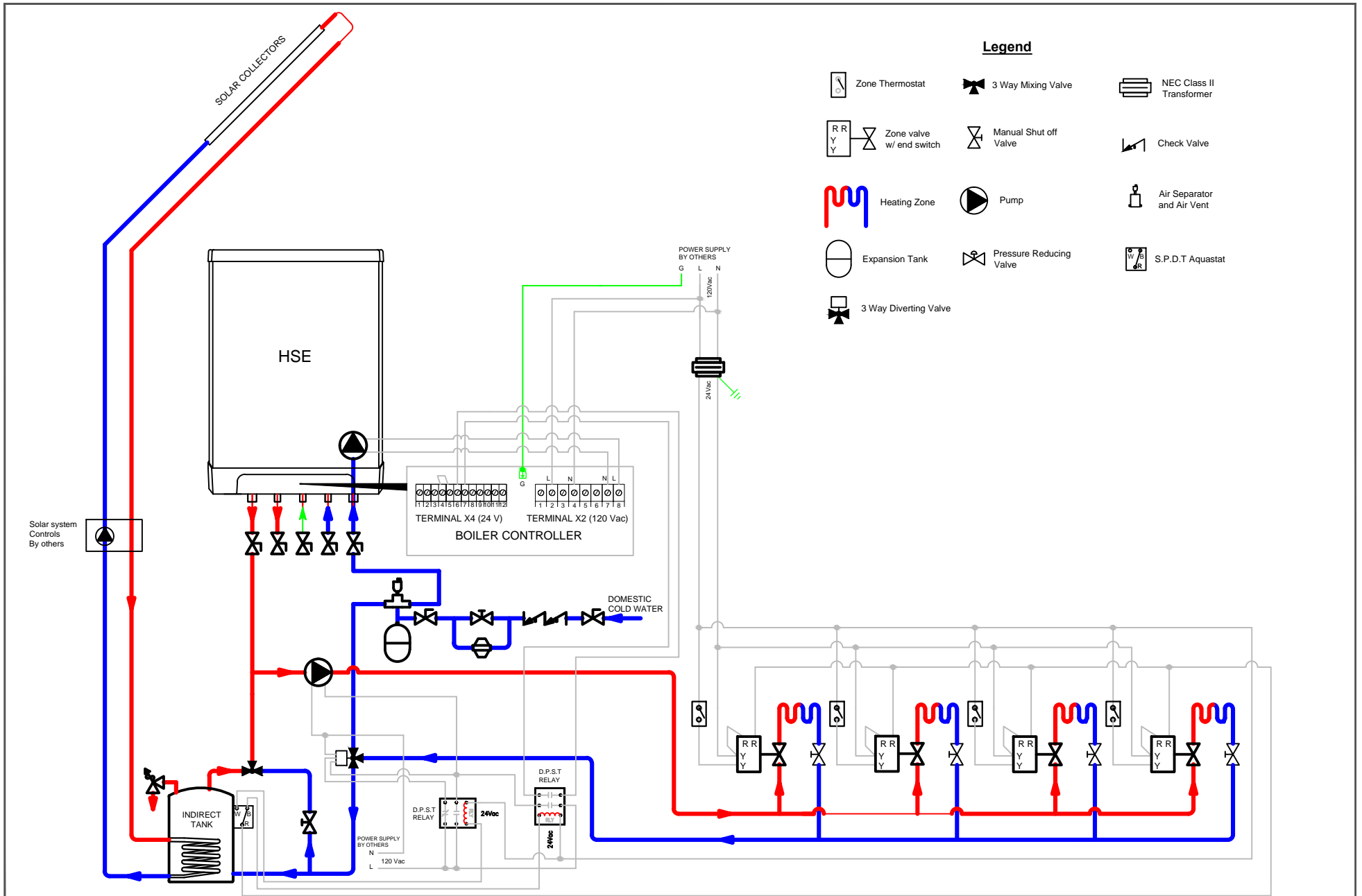
NOTES:
 This drawing illustrates a system concept only. This is not an engineering drawing and may not show all necessary components or may show additional components that may not be required for the system. The installer is responsible for compliance with local code requirements and proper installation practices

SCALE: NTS
 DATE: JUL 11, 2011
 BY: JZ/rs
 CHK:

DWG NO:
 HSE-PW-009-00
 FOR: Super Hot Intergas
 HSE Series Boilers

Piping and Wiring Diagram for Solar Domestic Hot Water Supply with Instantaneous Domestic Hot Water Back-up

ALLIED ENGINEERING COMPANY

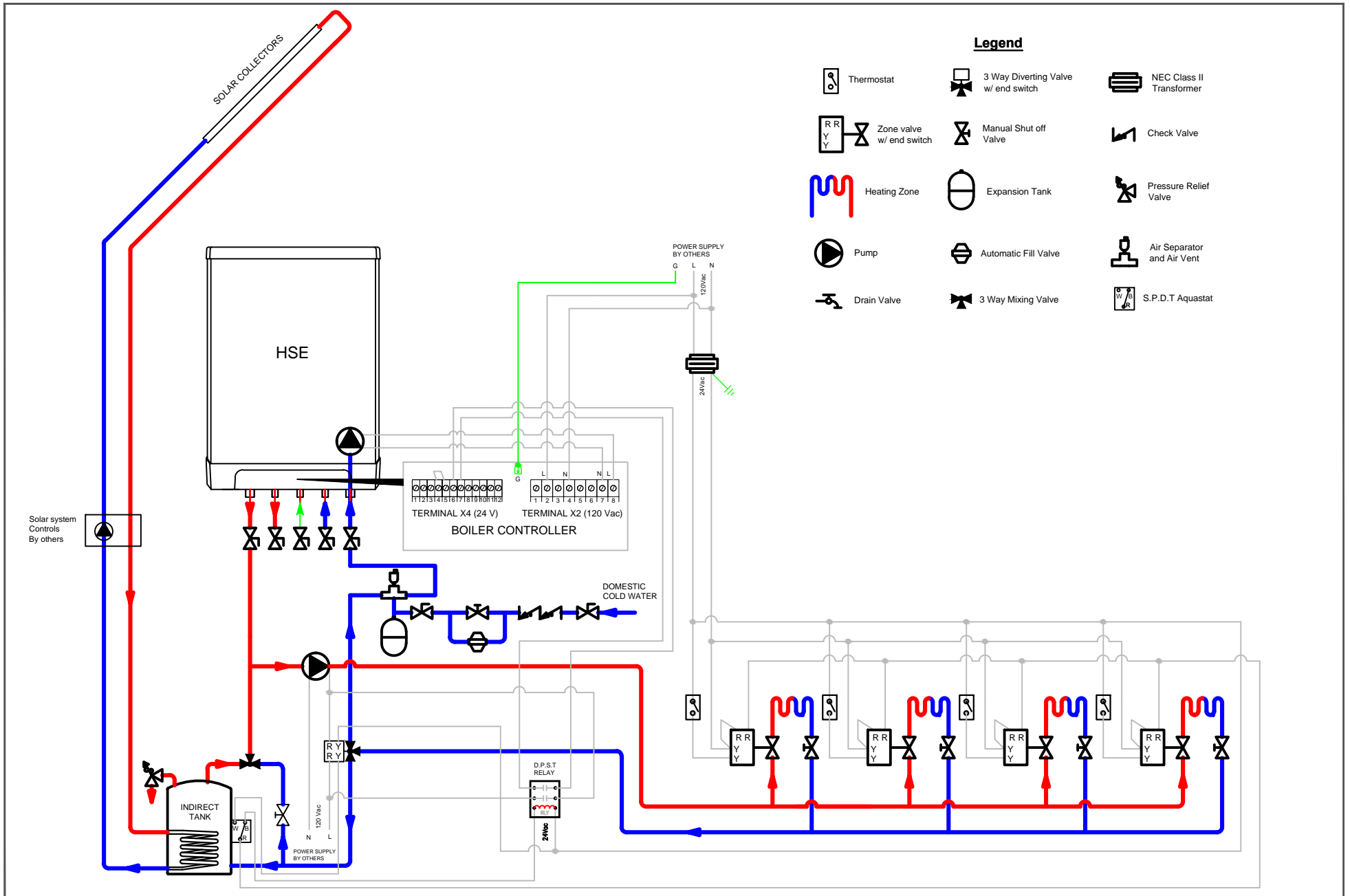


NOTES:
 This drawing illustrates a system concept only. This is not an engineering drawing and may not show all necessary components or may show additional components that may not be required for the system. The installer is responsible for compliance with local code requirements and proper installation practices

SCALE: NTS
 DATE: JUL 11, 2011
 BY: JZ/rs
 CHK:

DWG NO:
 HSE-PW-010-00
 FOR: Super Hot Intergas
 HSE Series Boilers

Piping and Wiring Diagram for Solar Heating using
 Zone Valves and Boiler Back-up - Relays
ALLIED ENGINEERING COMPANY

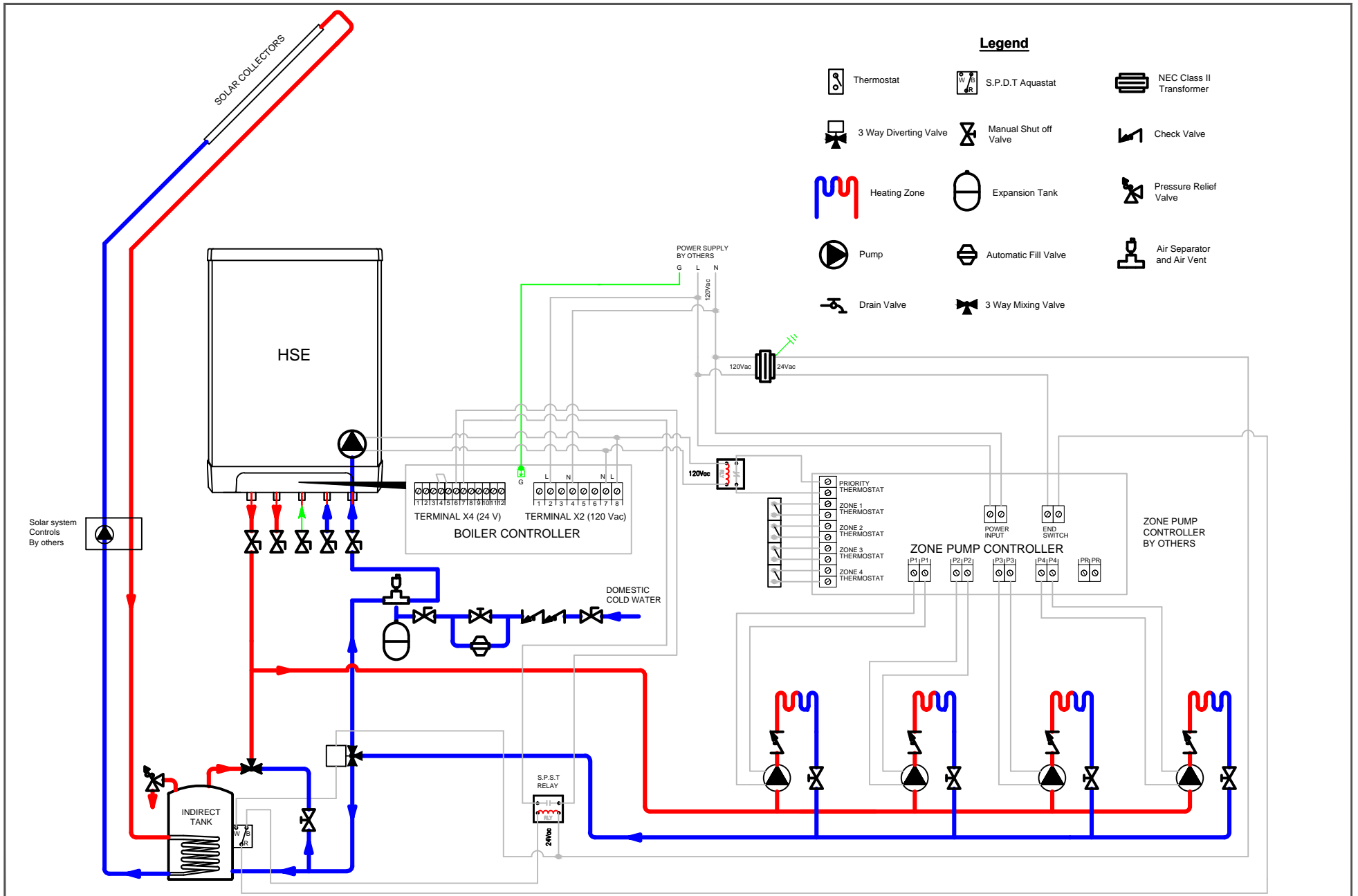


NOTES:
 This drawing illustrates a system concept only. This is not an engineering drawing and may not show all necessary components or may show additional components that may not be required for the system. The installer is responsible for compliance with local code requirements and proper installation practices

SCALE: NTS
 DATE: JUL 11, 2011
 BY: JZ/rs
 CHK:

DWG NO:
 HSE-PW-011-00
 FOR: Super Hot Intergas
 HSE Series Boilers

Piping and Wiring Diagram for Solar Heating using
 Zone Valves and Boiler Back-up - 3 Way Valve w/e.s
ALLIED ENGINEERING COMPANY



NOTES:
 This drawing illustrates a system concept only. This is not an engineering drawing and may not show all necessary components or may show additional components that may not be required for the system. The installer is responsible for compliance with local code requirements and proper installation practices

SCALE: NTS
 DATE: JUL 11, 2011
 BY: JZ/rs
 CHK:

DWG NO:
 HSE-PW-012-00
 FOR: Super Hot Intergas
 HSE Series Boilers

Piping and Wiring Diagram for Solar Heating using
 Pumps and Boiler Back-up - 3 Way Valve w/e.s.
ALLIED ENGINEERING COMPANY