



Residential Sealed Combustion High Efficiency Gas Boiler

*Unique Finned
Tube Design*

**Mini-Star “SC” Series
86% AFUE Efficiency**



- ✓ **Natural Gas or Propane**
- ✓ **Direct ignition – Hot Surface**
- ✓ **Sidewall or Vertical Venting**
- ✓ **Low NOx - less than 20 ppm**
- ✓ **Eight Models available:**
 - SC 35M
 - SC 70M
 - SC 105M
 - SC 140M
 - SC 175M
 - SC 210M
 - SC 245M
 - SC 280M

The Environmental Choice for clean burning, fuel saving, low NOx and warm hydronic heating comfort using sealed combustion technology.



Allied Engineering Company

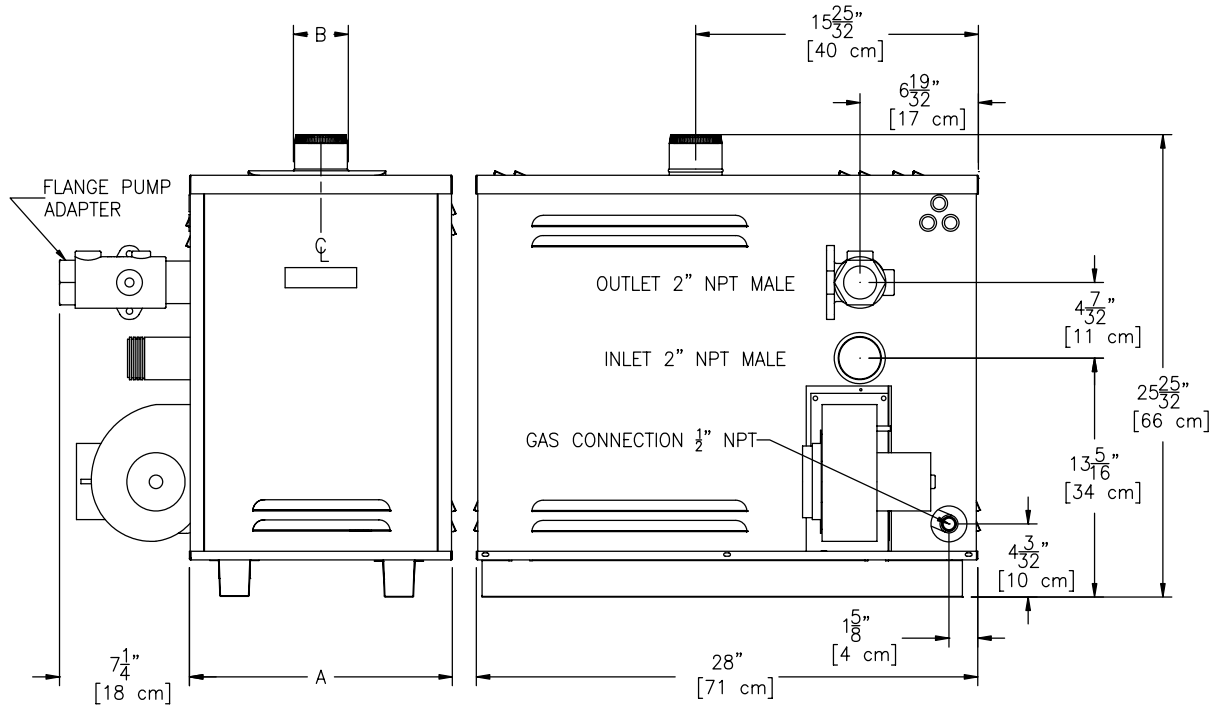
Division of E-Z-Rect Manufacturing Ltd.

Manufacturer of Gas and Electric Boilers, Stainless Steel Tanks, Heat Exchangers and Electric Boosters.
94 Riverside Drive, North Vancouver, B.C. V7H 2M6 • Telephone (604) 929-1214 • FAX (604) 929-5184
Branches: Calgary • Edmonton • Toronto



SC SERIES BOILERS

DIMENSIONS AND SPECIFICATIONS



MODEL NUMBER	INPUT*		OUTPUT		DIM A		DIM B		AFUE	
	MBH	kW	MBH	kW	In	cm	in	cm	NG %	LP %
SC-35	35	10.3	30.2	8.9	8.7	22.1	3	7.6	86.00	86.47
SC-70	70	20.5	60.5	17.7	11.7	29.7	3	7.6	86.00	86.48
SC-105	105	30.8	90.9	26.6	14.7	37.3	3	7.6	86.00	86.64
SC-140	140	41.0	121.3	35.5	17.7	44.9	3	7.6	86.01	86.64
SC-175	175	51.3	151.6	44.4	20.7	52.5	4	10.2	86.01	86.62
SC-210	210	61.6	182.2	53.4	23.7	60.1	4	10.2	86.02	86.76
SC-245	245	71.8	212.8	62.3	26.7	67.8	4	10.2	86.17	86.85
SC-280	280	82.1	242.9	71.2	29.7	75.4	4	10.2	86.04	86.76

Standard Model Includes:

- Zone Control Board with Transformer
- Electronic Ignition – Hot Surface
- Stainless Steel Burners
- Combination Gas Valve
- Dual Safety High-Limit Aquastat
- Temperature / Pressure Gauge
- A.S.M.E. Pressure Relief Valve
- Drain Valve
- Automatic Air Vent
- Air Differential Pressure Switches
- Combustion Air Blower
- Custom Cast Iron Pump Adapter

Optional Parts:

- Expansion Tank
- Combination Fill / Regulator Valve
- Circulating Pump

* For altitudes above 2,000 feet, refer to installation and service manual to determine the appropriate Input derate or contact the factory.

Minimum clearances from boiler outer case to combustible material: Top 13" (33 cm), Right Side 1/2" (1.27 cm), Left Side 9" (22.9 cm), Rear 1/2" (1.27 cm), Front 2.5" (6.4 cm).

A minimum service clearance of 18" (46 cm) is recommended for the front and left side. Approved for Combustible Floors (not directly on carpeting), Alcove & Closet installation. The Super Hot product improvement program may result in changes to the design and/or specifications being made without notice.

Options:

- Natural Gas add suffix "N" - Propane models add suffix "P"
- Hot Surface Ignition add suffix "HS"